

COMMERCIAL
MODELS: 122 THROUGH 322

CATALOG NO. 9300.77
Effective: 08-18-10
Replaces: 03-30-09

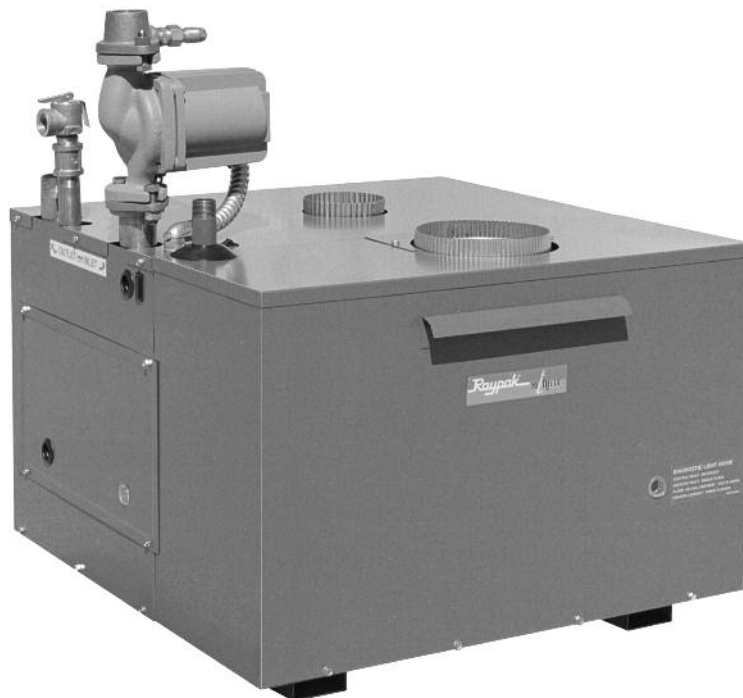
RAYPAK ILLUSTRATED PARTS LIST

MODEL SIZES: 122, 162, 202, 242 & 322

MODEL TYPES: HI DELTA, H & WH

DATES OF MANUFACTURE: 05-18-01 THROUGH 06-30-10

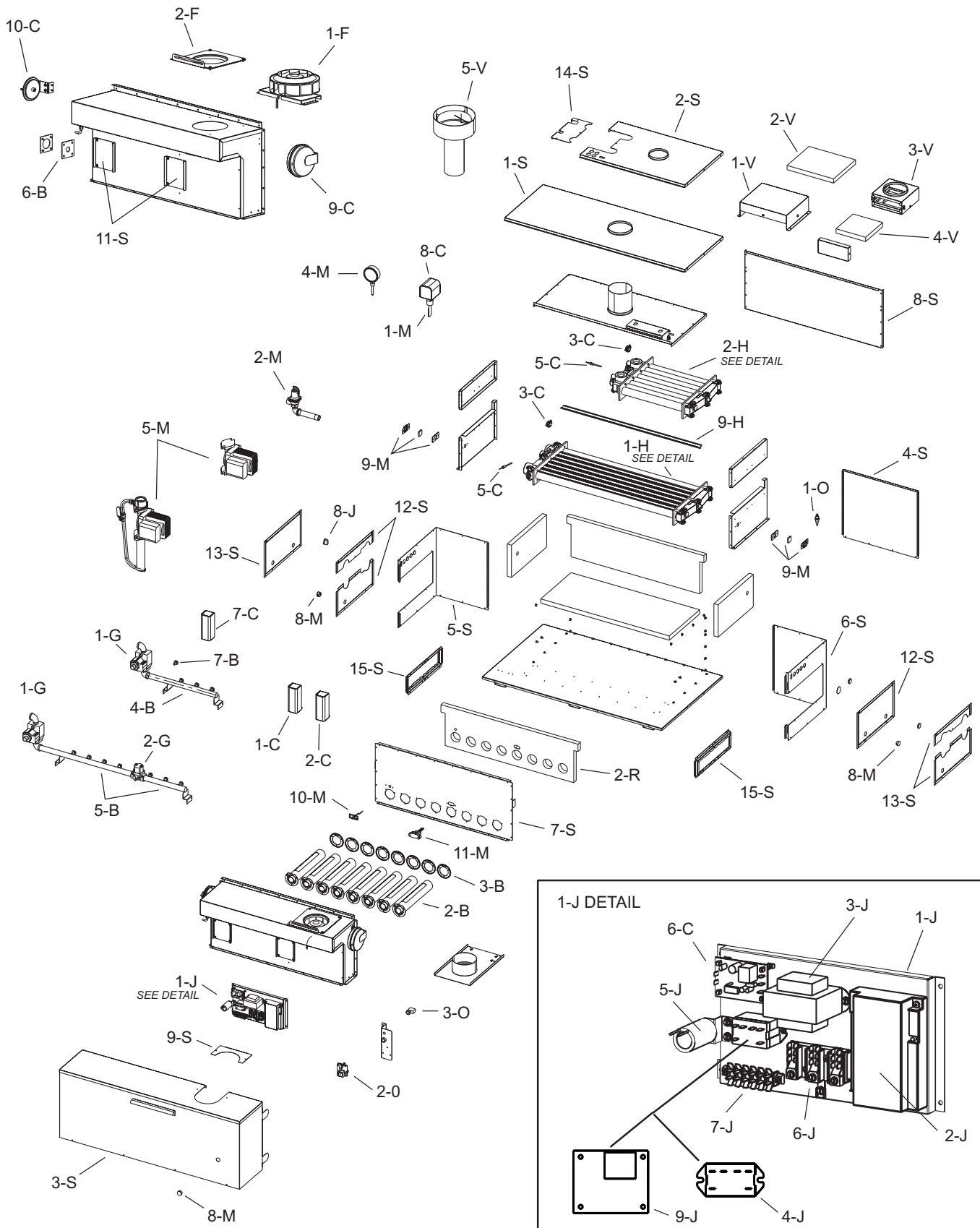
THE PARTS LISTED ARE FOR STANDARD EQUIPMENT FOR THIS MODEL TYPE. RAYPAK RESERVES THE RIGHT TO SUBSTITUTE, DELETE OR CHANGE ANY PART WITHOUT NOTIFICATION. THE ADDITION OF OPTIONS MAY ALSO CHANGE SOME OF THE PARTS. ORDER REPLACEMENT PARTS FROM ACTUAL HEATER COMPONENTS.



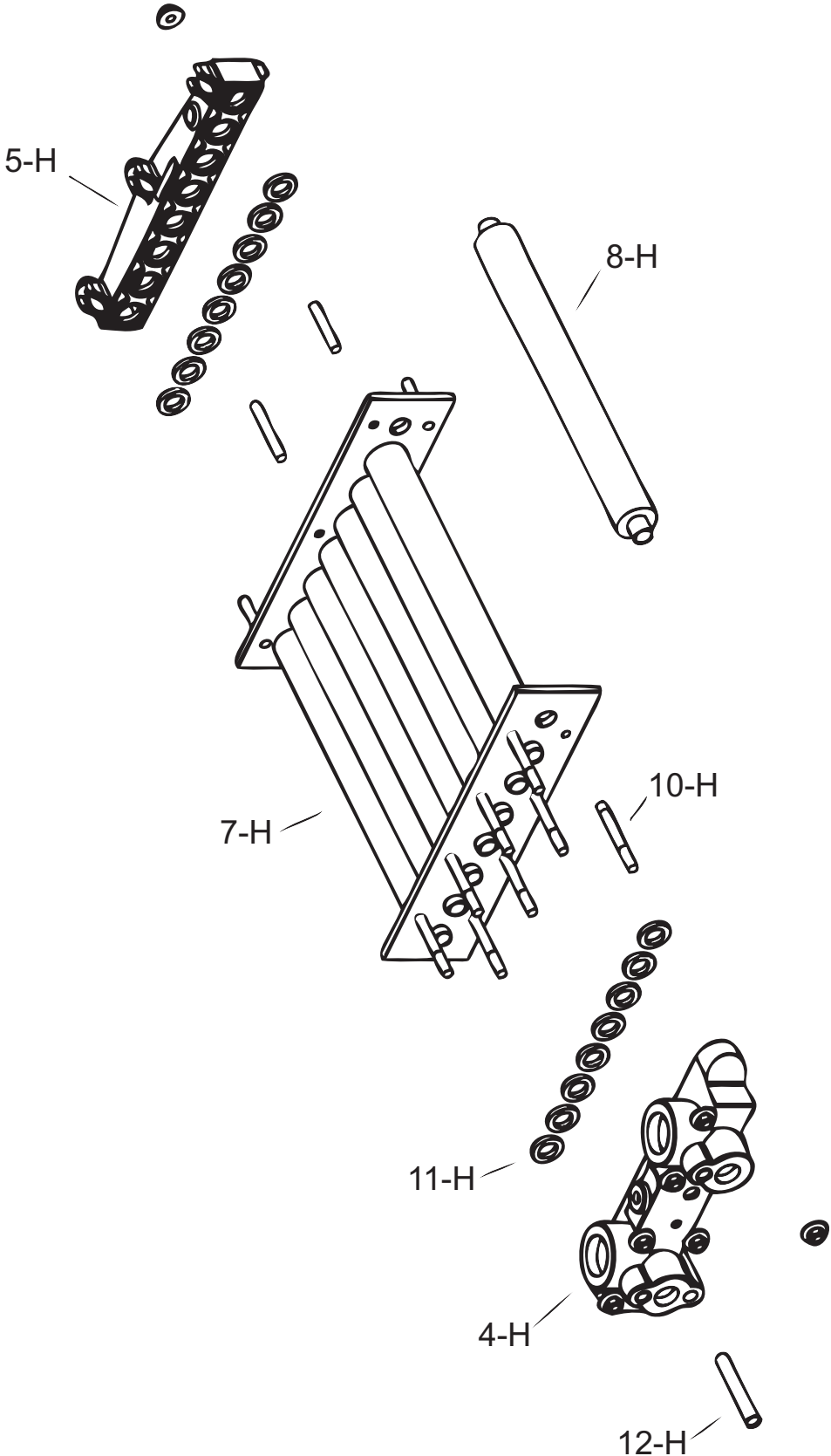
FOR DETAILED INSTRUCTIONS, SEE "HOW TO USE YOUR RAYPAK ILLUSTRATED PARTS LIST",
CATALOG NO. 9001.10



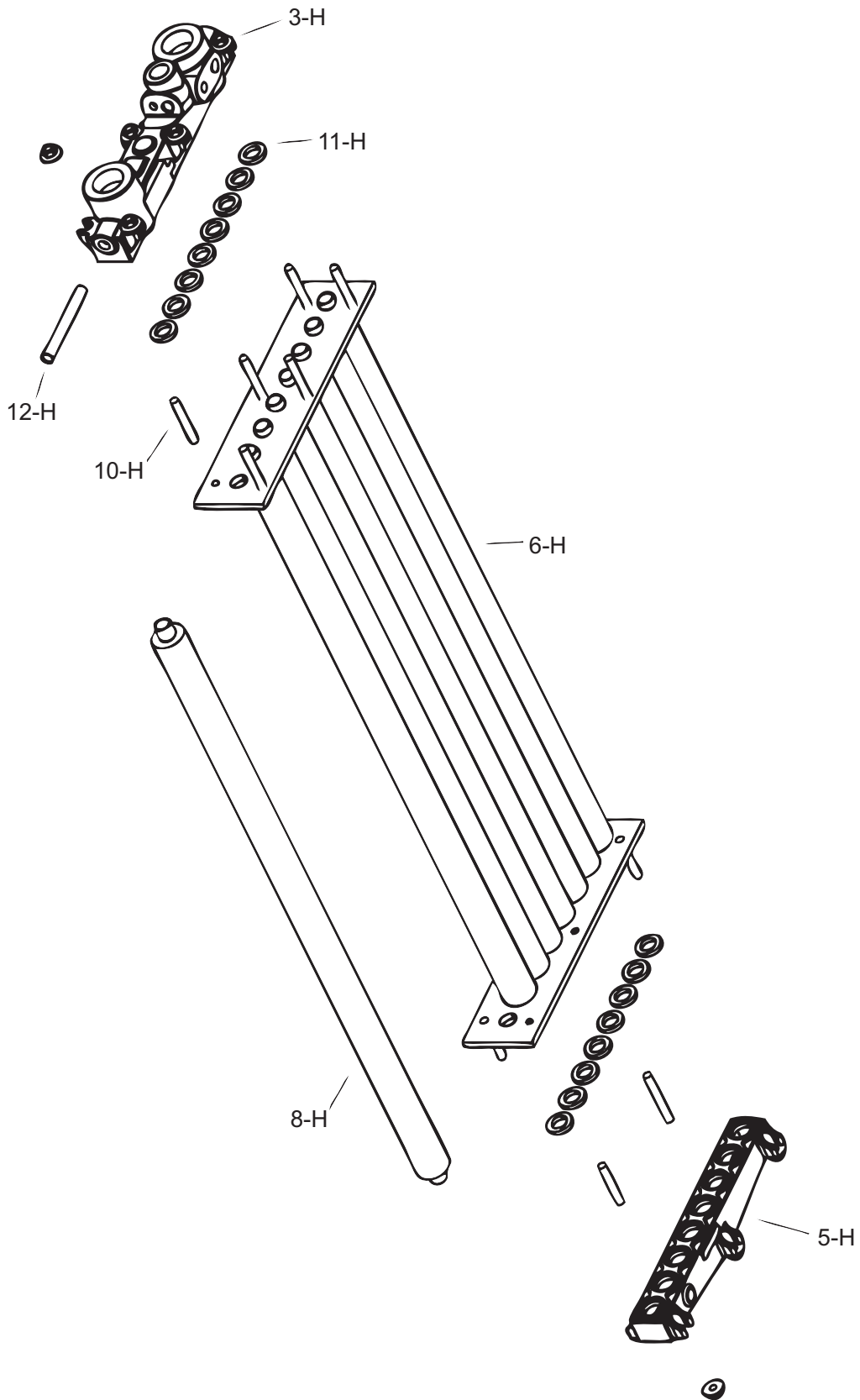
Raypak, Inc., 2151 Eastman Avenue, Oxnard, CA 93030
(805) 278-5300 Fax (800) 872-9725
Litho In U.S.A.
P/N 241343



HEAT EXCHANGER DETAIL
TUBE BUNDLE TOP CONNECTIONS



HEAT EXCHANGER DETAIL TUBE BUNDLE SIDE CONNECTIONS



CALL OUT	DESCRIPTION	122	162	202	242	322
B	BURNER ASSEMBLY					
1-B	Burner Assy w/Burners (Includes Front Comb Panel)	008525F	008526F	008527F	008528F	008529F
2-B	Burner	008522F	008522F	008522F	008522F	008522F
3-B	Seal Gasket	007443F	007443F	007443F	007443F	007443F
4-B	Manifold On/Off	008459F	008460F	008461F	008462F	008463F
5-B	Manifold 2 Stage	008464F	008465F	008466F	008467F	008468F
6-B	Manifold Gasket	008469F	008469F	008469F	008469F	008469F
7-B	Burner Orifice Nat.#51	351541 / 3	351541 / 4	351541 / 5	351541 / 6	351541 / 8
	Burner Orifice Pro.#63	351443 / 3	351443 / 4	351443 / 5	351443 / 6	351443 / 8
C	CONTROLS					
1-C	Manual Hi Limit 240 Deg Max. H	007144F	007144F	007144F	007144F	007144F
	Manual Hi Limit 200 Deg Max. WH	008081F	008081F	008081F	008081F	008081F
2-C	Adj/Auto Hi Limit 240 Deg Max. H	007141F	007141F	007141F	007141F	007141F
	Adj/Auto Hi Limit 180 Deg Max WH	006445F	006445F	006445F	006445F	006445F
3-C	Manual Hi Limit Non-Adjustible 36T 240 Deg H	008520F	008520F	008520F	008520F	008520F
	Manual Hi Limit Non-Adjustible 36T 2 Deg WH	008093F	008093F	008093F	008093F	008093F
4-C	Electronic Fast Response Sensor w/Probe 240 Deg H	008521F	008521F	008521F	008521F	008521F
	Electronic Fast Response Sensor w/Probe 200 deg WH	005555F	005555F	005555F	005555F	005555F
5-C	Probe Fast Response	006532F	006532F	006532F	006532F	006532F
6-C	PC Control Board 240 Deg H	008540F	008540F	008540F	008540F	008540F
	PC Control Board 200 Deg WH	005197F	005197F	005197F	005197F	005197F
7-C	Remote Aquastat (Tankstat) (B-2)	007148F	007148F	007148F	007148F	007148F
	Remote Aquastat (Tankstat) 2-Stage (B-3)	007392F	007392F	007392F	007392F	007392F
	Controller 2-Stage (B-4)	007393F	007393F	007393F	007393F	007393F
	Controller 4-Stage (B-20)	006445F	006445F	006445F	006445F	006445F
8-C	Flow Switch	007142F	007142F	007142F	007142F	007142F
9-C	Switch Air Pressure N.C.	006538F	006538F	006538F	006538F	006538F
10-C	Switch Air Pressure N.O.	008827F	008827F	008756F	008756F	008756F
F	Fan					
1-F	Blower Combustion Air	008470F	008470F	008470F	008470F	008470F
2-F	Air Shutter Assembly	008471F	008471F	008471F	008471F	008471F
G	GAS VALVES					
1-G	Combination Gas Valve On/Off Nat 3/4"	007424F	007424F	007424F	007424F	007424F
	Combination Gas Valve On/Off Pro 3/4"	007425F	007425F	007425F	007425F	007425F
2-G	Solenoid Gas Valve	008407F	008407F	008407F	008407F	008407F
H	HEAT EXCHANGER					
1-H	Heat Exch Cast Iron Side Connections	008408F	008409F	008410F	008411F	008412F
	Heat Exch Brass Side Connections	008413F	008414F	008415F	008416F	008417F
	Heat Exch Cast Iron Cupro Nickel Side Connections	008418F	008419F	008420F	008421F	008422F
	Heat Exch Brass Cupro Nickel Side Connections	008423F	008424F	008425F	008426F	008427F
2-H	Heat Exch Cast Iron Top Connections ASME	008658F	008659F	008660F	N/A	N/A
	Heat Exch Cast Iron Top Connections NON-ASME				N/A	N/A
3-H	Inlet/Outlet Header Cast Iron Side Connections	008428F	008428F	008428F	008429F	008429F
	Inlet/Outlet Header Brass Side Connections	008430F	008430F	008430F	008431F	008431F
4-H	Inlet/Outlet Header Cast Iron Top ASME	004236F	004236F	004236F	N/A	N/A
	Inlet/Outlet Header Cast Iron Top NON-ASME	008670F	008670F	008670F	N/A	N/A
5-H	Return Header Cast Iron	008432F	008432F	008432F	008432F	008432F
	Return Header Brass	008433F	008433F	008433F	008433F	008433F
6-H	Tube Bundle Side Connections	008434F	008435F	008436F	008437F	008438F
	Tube Bundle Cupro Nickel Side Connections	008439F	008440F	008441F	008442F	008443F
7-H	Tube Bundle Top Connections	008672F	008673F	008674F	N/A	N/A
8-H	Heat Exchange Tube	008444F	008445F	008446F	008447F	008448F
	Heat Exchange Tube Cupro Nickel	008449F	008450F	008451F	008452F	008453F
9-H	Baffle Kit	008454F	008455F	008456F	008457F	008458F
10-H	Stud Bolt Kit	007870F	007870F	007870F	007870F	007870F
11-H	Header Gasket	800203B	800203B	800203B	800203B	800203B
12-H	Sensor Well	007211F	007211F	007211F	007211F	007211F
13-H	Well Retaining Clip	300203	300203	300203	300203	300203
J	CONTROL BOX					
1-J	Control Assy H	008524F	008524F	008524F	008524F	008524F
	Control Assy WH	009824F	009824F	009824F	009824F	009824F
2-J	Ignition Control	008472F	008472F	008472F	008472F	008472F
3-J	Transformer 100VA	007494F	007494F	007494F	007494F	007494F
4-J	Pump Relay	007925F	007925F	007925F	007925F	007925F
9-J	Pump Relay P.C. Board	004675F	004675F	004675F	004675F	004675F
5-J	Blower Capacitor	008552F	008552F	008552F	008552F	008552F
6-J	Terminal Block (3 Space)	008523F	008523F	008523F	008523F	008523F
7-J	Terminal Block (7 Space)	007385F	007385F	007385F	007385F	007385F
8-J	On/Off Switch	008681F	008681F	008681F	008681F	008681F
*FOR ALTITUDES ABOVE 4,500 FEET, CONSULT THE FACTORY						

CALL OUT	DESCRIPTION	122	162	202	242	322
M	MISCELLANEOUS					
1-M	Flow Switch Paddle	004079F	004079F	004079F	004079F	004079F
2-M	PRV 30 PSI	007470F	007470F	007470F	007470F	007470F
	PRV 45 PSI	007220F	007220F	007220F	007220F	007220F
	PRV 60 PSI	007222F	007222F	007222F	007222F	007222F
	PRV 75 PSI	007223F	007223F	007223F	007223F	007223F
	PRV 125 PSI	008091F	007224F	007224F	007224F	007224F
	PRV 150 PSI	007225F	007225F	007225F	007225F	007225F
3-M	Delimiting Kit	052871F	052871F	052871F	052871F	052871F
4-M	T & P Gauge (H)	007205F	007205F	007205F	007205F	007205F
	T & P Gauge (W)	007399F	007399F	007399F	007399F	007399F
5-M	Pump Inline Top WaterCIBF	005097F	005097F	005097F	N/A	N/A
	Pump Inline Top Water BR (Non-Ferrous Waterway)	007333F	007333F	007333F	N/A	N/A
	Pump Inline BR Soft	012911F	012911F	012911F	012911F	012911F
	Pump Inline BR Medium	007327F	007327F	007327F	008746	008746
	Pump Inline BR Hard	007226F	007226F	007226F	007226F	007226F
	Pump Inline CIBF Soft	012913F	012913F	012913F	012913F	012913F
	Pump Inline CIBF Medium	005571	005571	005571	008745	008745
	Pump Inline CIBF Hard	007232F	007232F	007232F	007232F	007232F
6-M	Pump Cartridge 0010	951154F	951154F	951154F	951154F	951154F
	Pump Cartridge 0012	N/A	N/A	N/A	N/A	951153F
7-M	Pump Flange Gasket 0012	008747F	008747F	008747F	008747F	008747F
8-M	Sight Window Plug	008474F	008474F	008474F	008474F	008474F
9-M	Window Combustion Chamber	006947F	006947F	006947F	006947F	006947F
10-M	Ignitor	007400F	007400F	007400F	007400F	007400F
11-M	Flame Sensor	006535F	006535F	006535F	006535F	006535F
12-M	RTV Sealant 10 oz	005755F	005755F	005755F	005755F	005755F
13-M	FiberFrax Strip Insulation 1" Wide	008473F	008473F	008473F	008473F	008473F
O	OPTIONS					
1-O	Remote Sensor for Low Water Cut-Off	008063F	008063F	008063F	008063F	008063F
2-O	Low Water Cut Off PC Board	007157F	007157F	007157F	007157F	007157F
3-O	Reset/Test Switch for Low Water Cut Off	005641F	005641F	005641F	005641F	005641F
R	REFRACTORY					
1-R	Refractory Kit (All Panels)	008475F	008476F	008477F	008478F	008479F
2-R	Refractory Front Panel	008480F	008481F	008482F	008483F	008484F
S	SHEETMETAL					
1-S	Jacket Top	008485F	008486F	008487F	008488F	008489F
2-S	Jacket Top w/ Top Water Connections	008530F	008531F	008532F	N/A	N/A
3-S	Door Assy	008490F	008491F	008492F	008493F	008494F
	Door Assy w/ Top Gas Connections	008534F	008535F	008536F	N/A	N/A
4-S	Rear Jacket Panel	N/A	008495F	008496F	008497F	008498F
5-S	Left Side Jacket Panel	008499F	008499F	008499F	008499F	008499F
6-S	Right Side Jacket Panel	008500F	008500F	008500F	008500F	008500F
7-S	Front Combustion Chamber Panel	008501F	008502F	008503F	008504F	008505F
8-S	Rear Combustion Chamber Panel	008506F	008507F	008508F	008509F	008510F
9-S	Blower Air Intake Adapter	008511F	008511F	008511F	008511F	008511F
10-S	Flue Collector Top	008512F	008513F	008514F	008515F	008516F
11-S	Access Panel Ignitor/Flame Sensor	008678F	008678F	008678F	008678F	008678F
12-S	Access Panel Left Side Water Connections	008517F	008517F	008517F	008517F	008517F
13-S	Access Panel Right Side Water Connections	008518F	008518F	008518F	008518F	008518F
14-S	Access Panel Top Water Connections	008519F	008519F	008519F	N/A	N/A
15-S	Seal Brackets	008700F	008700F	008700F	008700F	008700F
V	VENTING					
1-V	Intake Filter Box Mounted	008555F	008555F	008555F	008555F	008555F
2-V	Filter	008556F	008556F	008556F	008556F	008556F
3-V	Inline Intake Air Filter Box	008699	008699	008699	008699	008699
4-V	Filter	008557F	008557F	008557F	008557F	008557F
5-V	Outdoor Stack	008537	008538	008538	008538	008856

For gas conversions, consult the factory for information.



Registered Quality Management System

www.raypak.com