

RAYPAK ILLUSTRATED PARTS LIST

MODEL SIZES: 334, 404, 514, 624, 724 & 824

MODEL TYPES: H, W, WH, N, NH, R, RH

DATES OF MANUFACTURE: 10-1-82 THRU CURRENT EXCEPT AS NOTED
 H6 - 11-1-84 THRU 12-31-08
 H1, H2, H3, H5 & H6 BUILT FOR MODELS 514 THRU 824
 H4 - 3-1-87 THRU CURRENT
 MODELS 334 & 404 - 10-1-82 THRU 12-31-90
 W3 - 1-1-99 THRU CURRENT
 WH1, WH2 - 1-1-01 THRU CURRENT
 NH, RH - 1-1-01 THRU 1-1-05
 N, R - 10-1-82 THRU 12-31-01

THE PARTS LISTED ARE FOR STANDARD EQUIPMENT FOR THIS MODEL. RAYPAK RESERVES THE RIGHT TO SUBSTITUTE, DELETE OR CHANGE ANY PART WITHOUT NOTIFICATION. THE ADDITION OF OPTIONS MAY ALSO CHANGE SOME OF THE PARTS. ORDER REPLACEMENT PARTS FROM ACTUAL HEATER COMPONENTS.



MODEL TYPE DESIGNATIONS

NEW	OLD	NEW	OLD
H1	T	H6	Tx
H2	Ta	W1	WT
H3	Tb	W2	THWS
H4	Tc (Released 3-1-87)	W3	—
H5	Td	N	TIP
		R	TIPR

Prefixes used to distinguish between old model and new model types only.

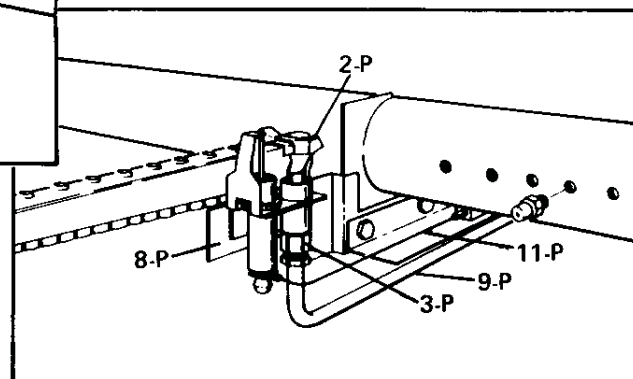
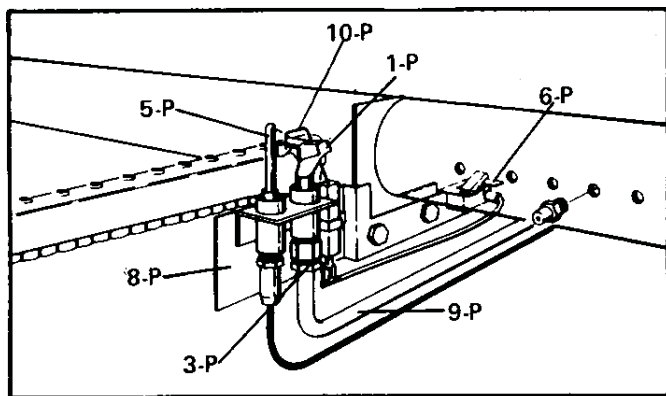
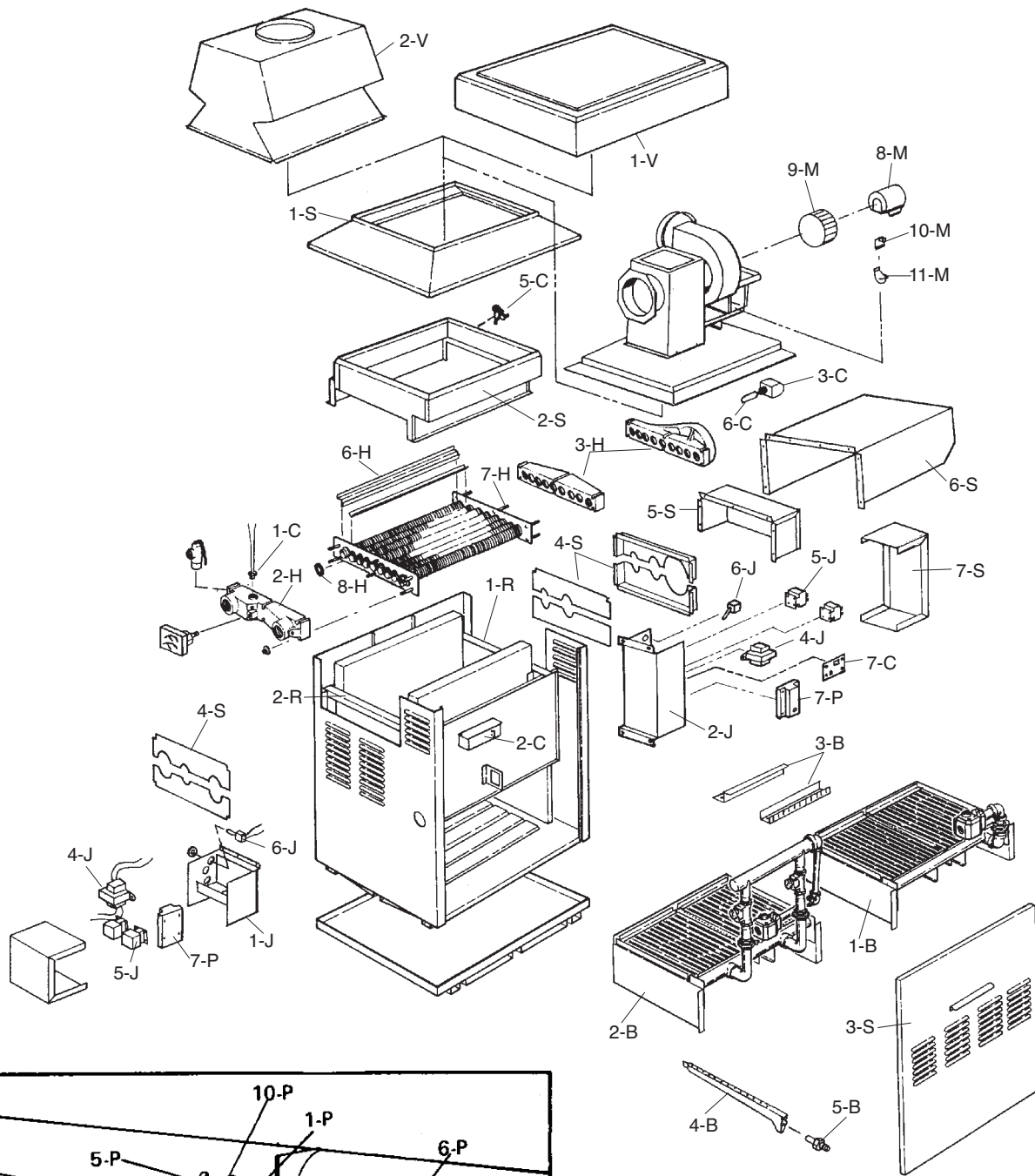
For additional information on the new model type designations see, Catalog No. 9001.10

FOR DETAILED INSTRUCTIONS ON "HOW TO USE YOUR RAYPAK ILLUSTRATED PARTS LIST" SEE 9001.10 INSTRUCTION SHEET.



Raypak, Inc., 2151 Eastman Ave, Oxnard, CA 93030
 (805) 278-5300 Fax (800) 872-9725
 Litho In U.S.A.

Part No. 240467



CALL	DESCRIPTION	334	404	514	624	724	824
B							
BURNER TRAY							
1-B	Burner Tray w/Burners (Sea Level)*	001851F	001852F	001853F	001855F	001857F	001859F
	Burner Tray w/o Burners (Sea Level)*	001863F	001864F	001865F	001867F	001869F	001871F
2-B	Burner Tray w/Burners (Sea Level)*			001854F	001856F	001858F	001860F
	Burner Tray w/Burners Robertshaw(Sea Level)*					004925F	004926F
	Burner Tray w/o Burners (Sea Level)*			001866F	001868F	001870F	001872F
	Burner Tray w/o Burners Robertshaw(Sea Level)*					004930F	004931F
3-B	Burner Spacer/Hold Down Bracket Kit	001875F	001876F	001877F	001878F	001879F	001880F
4-B	Burner	301210/20	301210/24	301210/31	301210/38	301210/44	301210/50
5-B	Burner Orifice Nat. #48 (Sea Level)*	350077F/20	350077F/24	350077F/31	350077F/38	350077F/44	350077F/50
	Burner Orifice Pro. #57 (Sea Level)*	350083F/20	350083F/24	350083F/31	350083F/38	350083F/44	350083F/50
C							
CONTROLS							
1-C	Auto Reset Fixed High Limit 240°F			008554F	008554F	008554F	008554F
2-C	Manual Reset Adjustable High Limit 240°F Max	007144F	007144F	007144F	007144F	007144F	007144F
	Manual Reset Adjustable High Limit 200°F Max	008081F	008081F	008081F	008081F	008081F	008081F
	Auto Reset Dualstat	004092F	004092F	004092F	004092F	004092F	004092F
	Manual Reset Dualstat			004092F	004092F	004092F	004092F
	Auto Reset Adjustable High Limit 240°F Max	007141F	007141F	007141F	007141F	007141F	007141F
	Auto Reset Adjustable High Limit 200°F Max	012546F	012546F	012546F	012546F	012546F	012546F
	Auto Reset Adjustable High Limit 180°F Max	006445F	006445F	006445F	006445F	006445F	006445F
	Controller Modulating (H2)			N/A	N/A	N/A	N/A
	Controller 2 Stage (H3)			007392F	007392F	007392F	007392F
	Controller 2 Stage (W3)			006760F	006760F	006760F	006760F
	Controller 4 Stage (W3)			006759F	006759F	006759F	006759F
	Controller (H6) See B3 Chart						
	Controller B5 (H2)			N/A	N/A	N/A	N/A
	Controller Modulating B-40/B-41 Digital			013293F	013293F	013293F	013293F
3-C	Flow Switch	007142F	007142F	007142F	007142F	007142F	007142F
4-C	Low Water Cut Off (Not Shown)	006202F	006202F	006202F	006202F	006202F	006202F
5-C	Thermostat Economaster	003609F	003609F	003609F	003609F	003609F	003609F
6-C	Flow Switch Paddle (McDonnel Miller)	004079F	004079F	004079F	004079F	004079F	004079F
	Flow Switch Paddle (Taco)	010026F	010026F	010026F	010026F	010026F	010026F
7-C	Economaster II Control	004675F	004675F	004675F	004675F	004675F	004675F
G		SEE GAS VALVE REPLACEMENT CHART.					
H							
HEAT EXCHANGER							
1-H	Heat Exch. Assy. Cast Iron	002319F	002320F	002321F	002322F	002323F	002324F
	Heat Exch. Assy. Brass	002325F	002326F	002327F	002328F	002329F	002330F
	Heat Exch. Assy. Cast Iron w/Pump Header	002331F	002332F	002333F	002334F	002335F	002336F
	Heat Exch. Assy. Brass w/Pump Header	002337F	002338F	002339F	002340F	002341F	002342F
	Heat Exch. Assy. Cast Iron w/Pump Header (N)	002343F	002344F	002345F	002346F	002347F	002348F
	Heat Exch. Assy. Brass w/Pump Header (N)	002349F	002350F	002351F	002352F	002353F	002354F
	Heat Exch. Assy. Cast Iron Cupro Nickel (N)	002355F	002356F	002357F	002358F	002359F	002360F
	Heat Exch. Assy. Brass Cupro Nickel (N)	002361F	002362F	002363F	002364F	002365F	002366F
2-H	Inlet/Outlet Header Cast Iron	002219F	002219F	002219F	002219F	002219F	002219F
	Inlet/Outlet Header Brass	002220F	002220F	002220F	002220F	002220F	002220F
	Inlet/Outlet Header Cast Iron (N)	002217F	002217F	002217F	002217F	002217F	002217F
	Inlet /Outlet Header Brass (N)	002218F	002218F	002218F	002218F	002218F	002218F
3-H	Return Header Cast Iron	002221F	002221F	002221F	002221F	002221F	002221F
	Return Header Brass	002222F	002222F	002222F	002222F	002222F	002222F
	Return Pump Header Cast Iron	002223F	002223F	002223F	002223F	002223F	002223F
	Return Pump Header Brass	002224F	002224F	002224F	002224F	002224F	002224F
4-H	Tube Bundle	002367F	002368F	002369F	002370F	002371F	002372F
	Tube Bundle Cupro Nickle (N)	002373F	002374F	002375F	002376F	002377F	002378F
5-H	Heat Exchange Tube	002379F	002380F	002381F	002382F	002383F	002384F
	Heat Exchange Tube Cupro Nickel (N)	002385F	002386F	002387F	002388F	002389F	002390F
6-H	Baffle Kit	001616F	001617F	001618F	001619F	001620F	001621F
7-H	Stud Bolt Kit	001051F	001051F	001051F	001051F	001051F	001051F
	Stud Bolt Kit w/Pump Header	001527F	001527F	001527F	001527F	001527F	001527F
8-H	Header Gasket	800001B	800001B	800001B	800001B	800001B	800001B
9-H	Sensor Well	007211F	007211F	007211F	007211F	007211F	007211F
10-H	Well Retaining Clip	300203	300203	300203	300203	300203	300203

*FOR ALTITUDES ABOVE 2,000 FEET ABOVE SEA LEVEL, CONSULT THE FACTORY.

CALL	DESCRIPTION	334	404	514	624	724	824
J	J BOX						
1-J	J Box Nat./Pro. Std.	002682F	002682F				
	J Box Nat. IID	002684F	002684F	002684F	002684F	002684F	002684F
	J Box Nat. IID, H2, H6			002409F	002409F	002409F	002409F
	J Box Pro. IID, Lockout	002686F	002686F	002686F	002686F	002686F	002686F
	J Box Pro. IID, H2, H6			002410F	002410F	002410F	002410F
2-J	J Box Nat./Pro. Std	002407F	002407F				
	J Box Nat./ Pro. Std/TTD	004816F	004816F				
	J Box Nat. IID	002227F	002227F	002227F	002227F	002227F	002227F
	J Box Nat. IID/TTD	004812F	004812F	004812F	004812F	004812F	004812F
	J Box Nat. IID, H2, H6 w/B3, B5			002409F	002409F	002409F	002409F
	J Box Lock/TTD W3			006653F	006653F	006653F	006653F
	J Box Pro. IID, Lockout	002230F	002230F	002230F	002230F	002230F	002230F
	J Box Pro. IID/TTD Lockout	004814F	004814F	004814F	004814F	004814F	004814F
	J Box Pro. IID, H2, H6 w/B3, B5			002410F	002410F	002410F	002410F
3-J	J Box C2/IRI (Not Shown) consult factory	N/A	N/A	N/A	N/A	N/A	N/A
4-J	Transformer 50VA	006533F	006533F	006533F	006533F	006533F	006533F
	Spark Generator Ign C2, IRI, G13 (Not Shown)	007361F	007361F	007361F	007361F	007361F	007361F
5-J	Relay SPST 24V NO	007377F	007377F	007377F	007377F	007377F	007377F
	Relay DPDT 24V			008090F	008090F	008090F	008090F
	Relay SPST 120V			008145F	008145F	008145F	008145F
	Relay DPDT 120V			013243F	013243F	013243F	013243F
	Relay SPDT C2 (Not Shown)	650117	650117	650117	650117	650117	650117
	Relay DPDT IRI (Not Shown)			600158	600158	600158	600158
6-J	Toggle Switch	008079F	008079F	008079F	008079F	008079F	008079F
M	MISCELLANEOUS						
1-M	PRV 30 PSI, H5			007217F	007217F	007217F	007218F
	PRV 45 PSI H4	007220F	007220F				
	PRV 60 PSI H1, H2, H3, H4, H6			007222F	007222F	007222F	007222F
	PRV 125 PSI W1, W2, W3, N, R	007224F	007224F	007224F	007224F	007224F	007224F
	PRV 125 PSI WH, NH, RH	007224F	007224F	007224F	007224F	007224F	007224F
2-M	Deliming Kit	052870F	052870F	052870F	052870F	052870F	052870F
3-M	T & P Gauge H1, H2, H3, H4, H5, H6			007205F	007205F	007205F	007205F
	T & P Gauge W1, W2, W3, N, R	007399F	007399F	007399F	007399F	007399F	007399F
4-M	Integral Pump 4-1/4 Impeller (Not Shown)	004844F	004844F	004844F	004844F	004844F	004844F
	Integral Pump 4.7 Impeller (Not Shown)	004845F	004845F	004845F	004845F	004845F	004845F
5-M	Mixing Valve (R)	500409	500409	500409	500409	500409	500409
6-M	Thermometer (R)	600133	600133	600133	600133	600133	600133
7-M	Tank T & P Gauge (R)	500569	500569	500569	500569	500569	500569
8-M	Power Vent Motor			951105F	951105F	951105F	951105F
9-M	Power Vent Wheel			951106F	951106F	951106F	951106F
10-M	Power Vent PC Board			005503F	005503F	005503F	005503F
11-M	Power Vent Pressure Switch			601212	601212	601212	601212

CALL OUT	DESCRIPTION	334	404	514	624	724	824
P	PILOT						
1-P	Pilot Nat. Standing	002412F	002412F				
	Pilot Pro. Standing	002413F	002413F				
2-P	Pilot Nat. IID	002234F	002234F	002234F	002234F	002234F	002234F
	Pilot Pro. IID	002235F	002235F	002235F	002235F	002235F	002235F
	Pilot Nat. C2 & IRI	002236F	002236F	002236F	002236F	002236F	002236F
3-P	Pilot Orifice Nat. Standing	600552	600552				
	Pilot Orifice Pro. Standing	600148	600148				
	Pilot Orifice Nat. IID	600552	600552	600552	600552	600552	600552
	Pilot Orifice Pro. IID	600894	600894	600894	600894	600894	600894
	Pilot Orifice Nat. C2	600552	600552	600552	600552	600552	600552
5-P	Thermocouple (Standing Pilot)	600003	600003				
6-P	Ignitor Standing (Piezo)	N/A	N/A				
7-P	Ignition Control IID Nat.	004817B	004817B	004817B	004817B	004817B	004817B
	Ignition Control IID Pro./Lockout	004818B	004818B	004818B	004818B	004818B	004818B
	Ignition Control C2, IRI, G13	007361F	007361F	007361F	007361F	007361F	007361F
	Ignition Control C2 (complete)	008702F	008702F	008702F	008702F	008702F	008702F
14-P	Base Ignition Control C2	008701F	008701F	008701F	008701F	008701F	008701F
8-P	Pilot Mounting Bracket STD						
	Pilot Mounting Bracket	304666	304666	304666	304666	304666	304666
9-P	Pilot Tube (Specify Length)	400013	400013	400013	400013	400013	400013
10-P	Ignitor Wire STD	600502F	600502F				
11-P	Ignitor Wire IID	064839	064839	064839	064839	064839	064839
12-P	Hi Tension Wire	002663B	002663B	002663B	002663B	002663B	002663B
13-P	Amplifier Flame Rectification C2 (not shown)	008092F	008092F	008092F	008092F	008092F	008092F
R	REFRACTORY						
1-R	Refractory Kit	001312F	001313F	001314F	001315F	001316F	001317F
2-R	Refractory Retainer Kit	001627F	001627F	001627F	001627F	001627F	001627F
S	SHEETMETAL						
1-S	Jacket Top	002417F	002418F	002419F	002420F	002421F	002422F
2-S	Flue Collector	002423F	002424F	002425F	002426F	002427F	002428F
3-S	Door Assy.	N/A	N/A	001836F	001837F	001838F	001839F
4-S	Access Panel	001847F	001847F	001847F	001847F	001847F	001847F
	Access Panel w/Pump Header	001846F	001846F	001846F	001846F	001846F	001846F
5-S	Control Cover	002672F	002672F	002672F	002672F	002672F	002672F
6-S	Pump Cover	002671F	002671F	002671F	002671F	002671F	002671F
7-S	J Box Sheetmetal	002668F	002668F	002668F	002668F	002668F	002668F
	J Box Sheetmetal C2 (not shown)	002237F	002237F	002237F	002237F	002237F	002237F
V	VENTING						
1-V	Stackless Top (Outdoor)	001101	001102	001103	001104	001105	001106
2-V	Draft Hood (Indoor)	001455	001456	001457	001458	001459	001460

B3 SERVICE REPLACEMENT PARTS	PART NO.
B3 (W902) CONTROLLER	
OutdoorReset Controller (W902)	N/A
Outdoor Temp Sensor	N/A
Water Sensor	N/A
Motor (M944J) (B3-1)	N/A
Motor (M944J) (B3-2)	N/A
Potentiometer	N/A
Auxiliary End Switch (B3-1)	N/A
Auxiliary End Switch (B3-2)	N/A
Actuator	600449
Relay-DPDT 120V	008145F
<hr/>	
Outdoor Reset Controller	004809F
Outdoor Temp Sensor	600898F
Water Sensor	600899F
Alarm Bell	650026
Silence Switch	650024
Relay DPDT 120V Idec	650625F
Relay DPDT 120V Idec	650626F
Relay SPDT 120V	008145F
Relay SPDT 24V	008090F
Relay DPDT 120V	650602F
Lead Boiler Switch	650633F
Main On/Off Switch	650060F
Transformer	006533F
<hr/>	
Outdoor Reset Controller ZG50	004810F
Control Module TH53	600975F
Control Module ZF1	600976F
Outdoor Temp Sensor	600977F
Water Sensor	600978F
Alarm Bell	650026
Silence Switch	650024
Relay SPDT 120V Idec	650625F
Relay DPDT 120V Idec	650626F
Relay SPDT 24V Idec	650689F
Relay 3P PDT 24V Idec (3 Boiler System)	650706F
Relay 4 PDT 24V Idec (3 Boiler System)	650758F
Relay 4 PDT 120V Idec (3 Boiler System)	650707F
Relay SPDT 24V (Alarm)	008090F
Lead Boiler Switch (2 Boilers)	650633F
Lead Boiler Switch (3 Boilers)	650759F
Transformer	006533F
Main On/Off Switch	650060F

G	DESCRIPTION	PART NUMBER	H1				H2				H3,W3,WH3				H5				H6				
			514	624	724	824	514	624	724	824	514	624	724	824	514	624	724	824	514	624	724	824	
	GAS VALVES																						
	Manual "B" Valve 1/8"	007195F	1	1	1	1	1	1	1	1	1	1	1			1	1	1	1	1	1	1	1
	Manual "A" Valve 1"	007189F			1	1	1	1	1	1	1	1			1	1	1	1	1	1	1	1	1
*	Lube/Cock Valve 1"	600324	2	2	2		2	2	2		2	2	2					2	2	2			
*	Lube/Cock Valve 1 1/4"	600325				2							2										2
	Pressure Regulator Nat. 1/8"	600217			1	1	1	1	1	1	1	1				1	1	1	1	1	1	1	1
	Pressure Regulator Pro. 1/8"	003568F			1	1	1	1	1	1	1	1				1	1	1	1	1	1	1	1
	Pressure Regulator Nat. 1"	007932F			1	1	1	1	1	1	1	1	1	1	1	1	1	1	1	1	1	1	1
	Pressure Regulator Pro. 1"	003570F			1	1	1	1	1	1	1	1	1	1	1	1	1	1	1	1	1	1	1
*	Pressure Regulator Nat. 1 1/4"	600050														1	1	1	1	1	1	1	1
	Pressure Regulator Pro. 1 1/4"	003571F				1										1	1	1	1	1	1	1	1
*	Pilot Gas Valve 120V	600154	1	1	1	1	1	1	1	1	1	1	1	1	1	1	1	1	1	1	1	1	1
	Pilot Gas Valve 24V	600562			1	1	1	1	1	1	1	1	1				1	1	1	1	1	1	1
	Auto On/Off Valve 1"	004093F			1	1		1	1	1	1						1	1					
	Auto On/Off Valve 3/4"	004876F																					
	Auto On/Off Valve 1 1/4"	004094F																					
	Mod Valve 85/210 3/4" HW	N/A																					
	Mod Valve 85/210 1" HW	N/A																					
	Mod Valve 120/240 1" HW	N/A	2	2	2	2																	
	Mod Valve 150/210 3/4" HW	N/A																					
	Mod Valve 150/210 1" HW	N/A																					
	Mod Valve 140° Max 1" HW	N/A													2	2	2	2					
	Mod Valve 110-170° 3/4" HW	N/A																					
	Mod Valve 110-170° 1" HW	N/A																					
	Mod Valve 110°-170° Nat. RS	006508F													1	1	2	2					
	Mod Valve 110°-170° Pro. RS	006510F																					
	Mod Valve 150-210 Nat RS	006509F	1	1	2	2																	
	Mod Valve 150-210 Pro RS	006511F	1	1	2	2																	
	Comb. Gas Valve Nat. 3/4"	003900F																					
	Comb. Gas Valve Pro. 3/4"	004306F																					
	Comb. Gas Valve Nat. 1"	600631					1	1	1	1													
	Comb. Gas Valve Pro. 1"	600692					1	1	1	1													
	Comb. Step-Open Valve Nat. 3/4"	004868F																					
	Comb. Step-Open Valve Pro. 3/4"	003569F																					
	Comb. Step-Open Valve Nat. 1"	600870																					
	Comb. Step-Open Valve Pro. 1"	003574F																					
	Comb. Gas Valve IID Nat. 1"	004877F	1	1											1	1							
	Comb. Gas Valve IID Pro. 1"	004878F	1	1											1	1							
	Comb. 2-Stage Valve Nat. 1"	004881F										1	1										
	Comb. 2-Stage Valve Nat. 1"	600655												1	1								
*	Actuator, 2-Stage	600458										1	1	1	1								
*	Actuator, Modulation w/B5 & B7	600449					1	1	1	1									1	1	1	1	1
*	Actuator w/B3, B6000	600900																	1	1	1	1	1
*	Actuator, On/Off	011908F	2	2	2	2	1	1	1	1	1	1	1	1	1	1	1	1	1	1	1	1	1
*	Gas Valve Body 3/4"	601093										1	1										
*	Gas Valve Body. 1"	600467	2	2	2		1	1	1			1	1	1					1	1	1		
*	Gas Valve Body. 1"	600450					1	1	1					1	1				1	1	1		
*	Gas Valve Body. 1 1/4"	600451				2				2													2
*	Gas Vent Valve 3/4"	011913F	1	1	1	1	1	1	1	1	1	1	1	1	1	1	1	1	1	1	1	1	1
*	Gas Pressure Switch Low	007187F	1	1	1	1	1	1	1	1	1	1	1	1	1	1	1	1	1	1	1	1	1
*	Gas Pressure Switch High	007188F	1	1	1	1	1	1	1	1	1	1	1	1	1	1	1	1	1	1	1	1	1

*REQUIRED FOR IRI MODELS

≠CONSULT FACTORY

	DESCRIPTION	PART NUMBER	H4,W1,WH1					W2,WH2					N,NH					R,RH								
			334	404	514	624	724	824	334	404	514	624	724	824	334	404	514	624	724	824	334	404	514	624	724	824
G	GAS VALVES																									
	Manual "B" Valve 1/8"	007195F			1	1	1	1				1	1	1	1								1	1	1	1
	Manual "A" Valve 1"	007189F			1	1	1	1					1	1										1	1	1
*	Lube/Cock Valve 1"	600324			2	2	2					2	2	2									2	2	2	
*	Lube/Cock Valve 1 1/4"	600325						2																		2
	Pressure Regulator Nat. 1/8"	600217												1	1									1	1	
	Pressure Regulator Pro. 1/8"	003568F													1	1								1	1	
	Pressure Regulator Nat. 1"	007932F			1	1	1							1	1									1	1	
	Pressure Regulator Pro. 1"	003570F			1	1	1							1	1									1	1	
*	Pressure Regulator Nat. 1 1/4"	600050													1	1								1	1	
	Pressure Regulator Pro. 1 1/4"	003571F													1	1								1	1	
*	Pilot Gas Valve 120V	600154			1	1	1	1								1	1							1	1	
	Pilot Gas Valve 24V	600562														1	1							1	1	
	Auto On/Off Valve 1"	004093F																						1	1	
	Auto On/Off Valve 3/4"	004876F	1	1																						
	Auto On/Off Valve 1 1/4"	004094F																								
	Mod Valve 85/210 3/4" HW	N/A							1																	
	Mod Valve 85/210 1" HW	N/A								1	2	2	2													
	Mod Valve 120/240 1" HW	N/A																								
	Mod Valve 150/210 3/4" HW	N/A																								
	Mod Valve 150/210 1" HW	N/A																								
	Mod Valve 140° Max 1" HW	N/A																								
	Mod Valve 110-170° 3/4" HW	N/A																								
	Mod Valve 110-170° 1" HW	N/A													1											
	Mod Valve 110°-170° Nat. RS	006508F														1										
	Mod Valve 110°-170° Pro. RS	006510F															2									
	Mod Valve 150-210 Nat RS	006509F																						1	1	
	Mod Valve 150-210 Pro RS	006511F																						1	1	
	Comb. Gas Valve Nat. 3/4"	003900F	1	1						1														1		
	Comb. Gas Valve Pro. 3/4"	004306F	1	1						1														1		
	Comb. Gas Valve Nat. 1"	600631																								
	Comb. Gas Valve Pro. 1"	600692																								
	Comb. Step-Open Valve Nat. 3/4"	004868F																								
	Comb. Step-Open Valve Pro. 3/4"	003569F																								
	Comb. Step-Open Valve Nat. 1"	600870*																								
	Comb. Step-Open Valve Pro. 1"	003574F																								
	Comb. Gas Valve IID Nat. 1"	004877F			1	1	1	1																		
	Comb. Gas Valve IID Pro. 1"	004878F			1	1	1	1																		
	Comb. 2-Stage Valve Nat. 1"	004881F																								
	Comb. 2-Stage Valve Nat. 1"	600655																								
*	Actuator, 2-Stage	600458																								
*	Actuator, Modulation w/B5 & B7	600449																								
*	Actuator w/B3, B6000	600900																								
*	Actuator, On/Off	011908F			2	2	2	2																2	2	
*	Gas Valve Body 3/4"	601093																								
*	Gas Valve Body. 1"	600467			2	2	2																	2	2	
*	Gas Valve Body. 1"	600450																								
*	Gas Valve Body. 1 1/4"	600451																								
*	Gas Vent Valve 3/4"	011913F			1	1	1	1																1	1	
*	Gas Pressure Switch Low	007187F			1	1	1	1																1	1	
*	Gas Pressure Switch High	007188F			1	1	1	1																1	1	

*REQUIRED FOR IRI MODELS
 =CONSULT FACTORY



www.raypak.com